

56Gb/s QSFP+ Active Optical Cable



MC2207312-xxx

Mellanox® QSFP+ Active Optical Cable (AOC) contains four fiber optic transceivers per end, each operating at data rates of up to 14.0625Gb/s. This integrated cable solution provides reliable transport for aggregate data rates of up to 56Gb/s Virtual Port Interconnect (VPI). This SFF-8685 compliant cable can be used for either Ethernet or InfiniBand link protocols.

Rigorous production testing ensures the best out-of-the-box installation experience, performance and durability.

Table 1 - Absolute Maximum Ratings

Parameter	Minimum	Maximum	Units
Supply voltage	0	3.6	V
Data input voltage	-0.5	V _{cc} +0.3	V
Control input voltage	-0.5	V _{cc} +0.3	V
Storage temperature	-40	85	°C

Table 2 - Operational Specifications

Parameter	Minimum	Typical	Maximum	Units
Supply voltage (V _{cc})	3.135	3.3	3.465	V
Default Rx power consumption	---	1.2	1.4	W
Low Rx power consumption	---	1	1.2	W
Supply noise rejection	---	---	50	mVpp
Operating case temperature	0	---	70	°C
Operating relative humidity	5	---	85	%

Table 3 - Cable Mechanical Specifications

Parameter	Value	Units
Diameter	4.8	mm
Minimum bend radius	25	mm
Faceplate to outer-radius	86	mm
Length tolerance	50m < Length: +1000mm /-0	m
Cable color	Yellow	---

Note 1. See Figure 1 for the cable length definition.

HIGHLIGHTS

- Up to 56Gb/s data rate
- Available in 200m and 300m lengths
- Programmable Rx output amplitude
- 1W power consumption at low Rx output amplitude
- SFF-8685 compliant
- Operating case temperature of 0-70°C
- 3.3V power supply
- BER better than 1E-15
- Hot pluggable
- Class 1 laser safety
- Standard single-mode ribbon fiber
- RoHS compliant

Mechanical Schematics

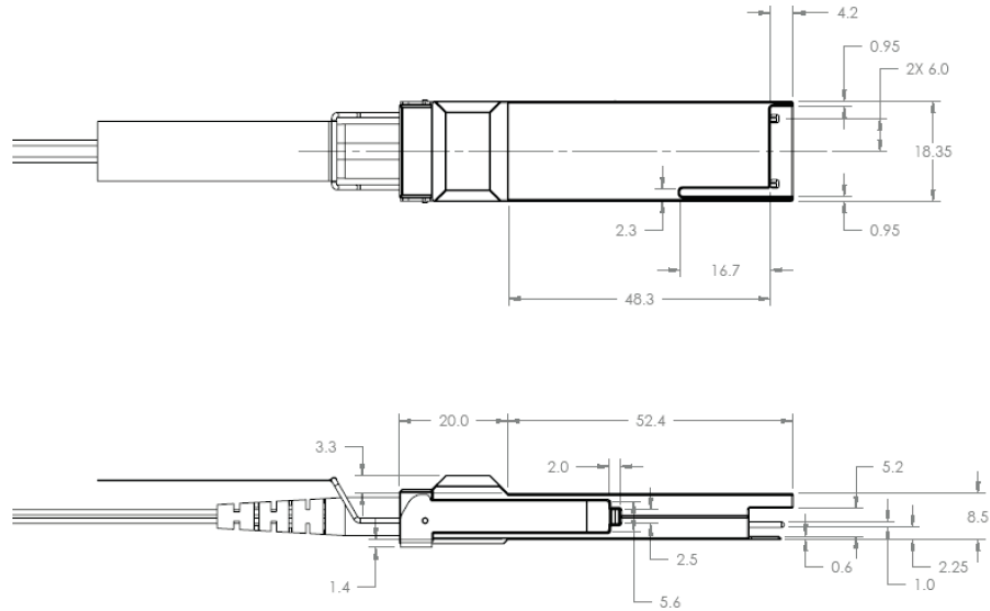


Figure 1. Cable Length

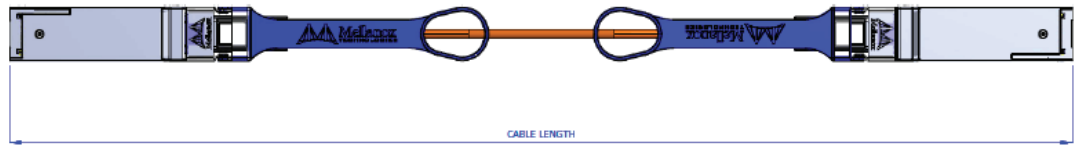


Table 4 - Part Numbers and Descriptions

OPN	Description
MC2207312-200	Mellanox® active fiber cable, VPI, up to FDR/56GbE, QSFP+, 200m
MC2207312-300	Mellanox® active fiber cable, VPI, up to FDR/56GbE, QSFP+, 300m

Warranty Information

Mellanox LinkX active optical cables include a 1-year limited hardware warranty, which covers parts repair or replacement.